

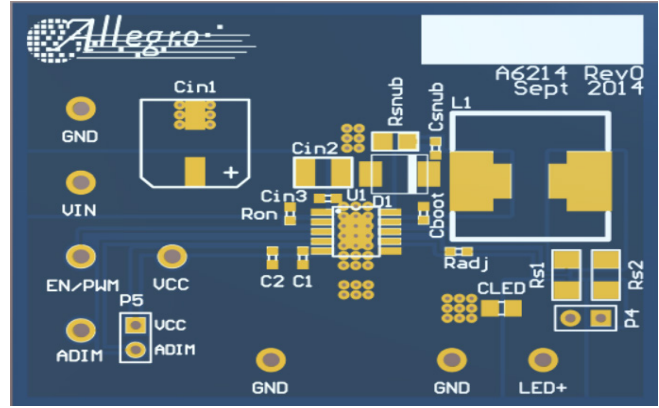
## A6214 Evaluation Board User Guide

### DESCRIPTION

The A6214 is a single-IC switching regulator that provides constant-current output to drive high-power LEDs. It integrates a high-side N-channel DMOS switch for DC-to-DC step-down (buck) conversion. It can accept input voltage from 4.5 V to 55 V, to drive a single LED string up to 2 Amps. This evaluation board and its user guide provide an easy way to demonstrate the operations of A6214.

### EVALUATION BOARD CONTENTS

- A6214 Evaluation Board



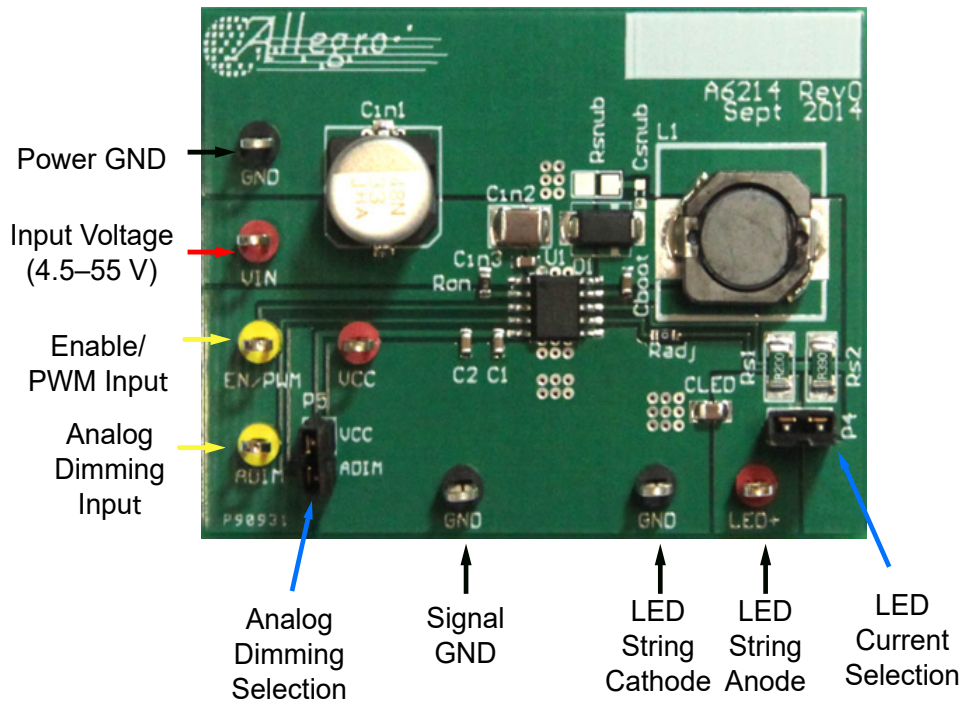
**Figure 1: A6214 Evaluation Board**

### Table of Contents

Description .....	1
Features .....	1
Evaluation Board Contents .....	1
Using the Evaluation Board .....	2
Setup .....	2
LED Current .....	3
Switching Frequency .....	3
Schematic .....	4
Layout .....	5
Bill of Materials .....	6
Related Links .....	7
Revision History .....	8

## USING THE EVALUATION BOARD

The following section describes the steps to set up and covers the jumper settings of the A6214 evaluation board.



**Figure 2: A6214 evaluation board connections**

### Setup

1. Connect a LED string with suitable current rating between LED+ (anode) and GND (cathode)
2. Select jumper settings for required operation mode (see Jumper Selection table for details)
3. Connect input power between VIN and GND. Valid VIN range is between 4.5 V and 55 V. For LED current regulation, the minimum input voltage must be higher than the LED string's operating voltage. (Refer to "Minimum and Maximum Output Voltages" section in data sheet)
4. Connect EN/PWM to a logic high signal, or connect it to VIN. This will turn on the LED string.
5. For external PWM dimming: connect EN/PWM to a suitable logic signal (such as 0–3 V, 200 Hz, 50%). Vary the PWM duty cycle between 0.1% and 100% to control the brightness of LED string.

### Jumper Selection

Jumper	Connection	Operating Mode
Analog Dimming Selection (P5)	ADIM–VCC	Analog dimming disabled. LED current at 100%
	Open	Control LED current level through ADIM voltage (Note: do not leave ADIM floating)
LED Current Selection	Shorted	LED current regulated at 1.5 A
	Open	LED current regulated at 1 A

---

## LED Current

The A6214 evaluation board has its output current set at either 1 A or 1.5 A, depending on jumper setting. If necessary, different output current can be programmed by changing the sense resistor.

$$R_{SENSE} = V_{CSREG} / i_{LED}$$

Where  $V_{CSREG} = 0.2$  V typical.

## Switching Frequency

Switching frequency is initially set at around 0.55 MHz for the evaluation board, but it can be changed (between 0.2 and 2.2 MHz) by changing the TON resistor.

$$f_{SW} = 1 / [k \times (R_{TON} + R_{INT})]$$

Where  $k = 0.00434$ , with  $f_{SW}$  in MHz,  $R_{TON}$  and  $R_{INT}$  (internal resistance, 20 k $\Omega$ ) in k $\Omega$ .

Note that the default inductance of L1=47 $\mu$ H is suitable for  $f_{SW} < 1.5$  MHz. At higher switching frequency, a lower inductance L1 should be used. Refer to “Inductor Selection Chart” in data sheet for details.

## SCHEMATIC

Figure 3 below shows the A6214 evaluation board schematic.

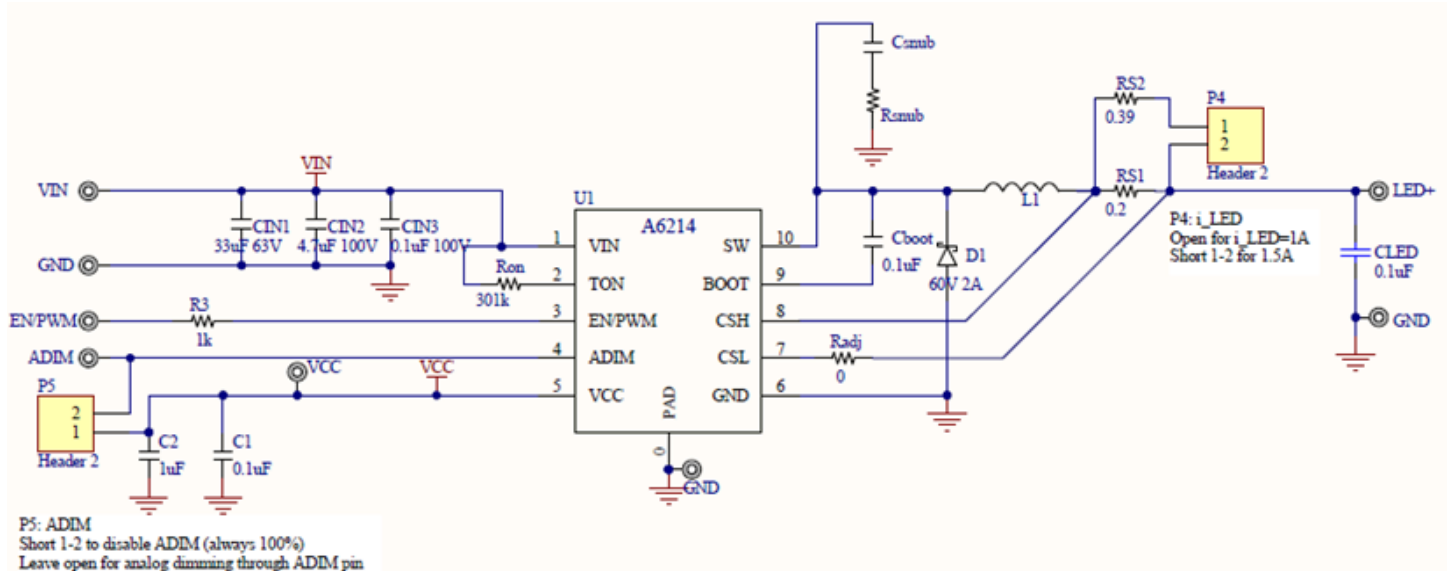


Figure 3: A6214 evaluation board schematic

## LAYOUT

The following figures show the PCB layout of the A6214 evaluation board.

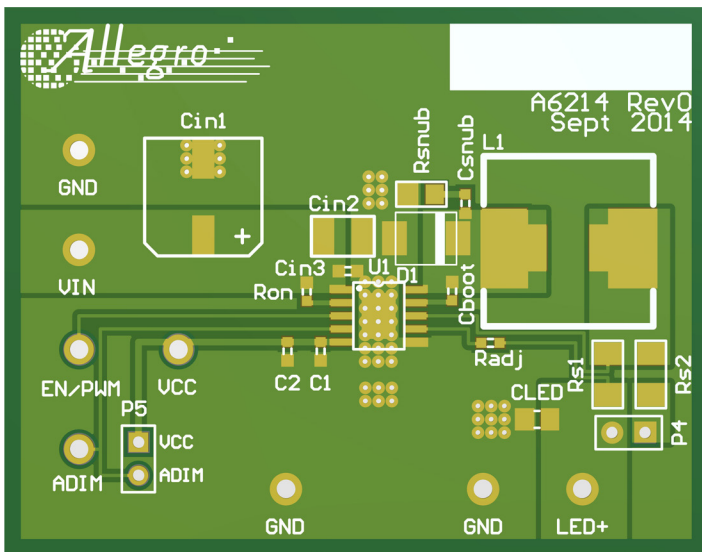


Figure 4: A6214 evaluation board PCB top layer

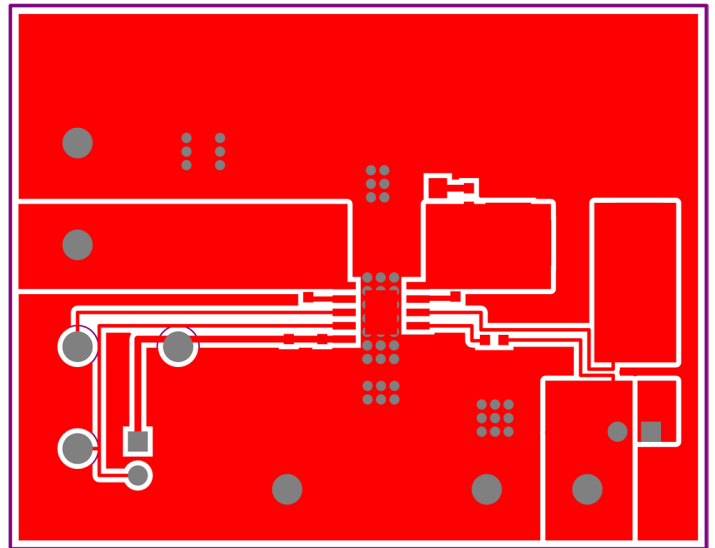


Figure 5: A6214 evaluation board PCB middle layer



Figure 6: A6214 evaluation board PCB bottom layer

## BILL OF MATERIALS

Table 1: A6214 Evaluation Board Bill of Materials

Designator	Quantity	Description	Manufacturer	Manufacturer Part Number
C1, Cboot	2	CAP CER 0.1 $\mu$ F, 10 V, 10%, X7R 0603	KEMET	C0603C104K8RACTU
C2	1	CAP CER 1 $\mu$ F, 10 V, 10%, X7R 0603	TDK Corporation	C1608X7R1A105K080AC
CsnuB	0	DNP		
CIN1	1	CAP 33 $\mu$ F, 63 V, ELECT HXA SMD	Chemi-Con	HHXA630ARA330MHA0G
CIN2	1	CAP CER 4.7 $\mu$ F, 100 V, 20%, X7S 1210	TDK Corporation	C3225X7S2A475M200AB
CIN3	1	CAP CER 0.1 $\mu$ F, 100 V, 20%, X7S 0603	TDK Corporation	CGA3E3X7S2A104M080AB
CLED	1	CAP CER 0.1 $\mu$ F, 100 V, 20%, X7R 0805		
D1	1	DIODE SCHOTTKY, 60 V, 2.1 A, DO214AC	Vishay	VS-10MQ060NTRPBF
L1	1	CDRH105RNP-470NC (47 $\mu$ H, 2 A, 30%, 130 m $\Omega$ , 10 $\times$ 10 $\times$ 5 mm)	Sumida America Components, Inc.	CDRH105RNP-470NC
Radj	1	0 $\Omega$		
Ron	1	392k, 0.1 W, 1%		
RS1	1	0.20 $\Omega$ , 0.5 W, 1%	Susumu	RL1632R-R200-F
RS2	1	0.39 $\Omega$ , 0.5 W, 1%	Susumu	RL1632R-R390-F
Rsnub	0	DNP		
VIN, VCC, LED+	3	Test Point, Red	Keystone Electronics	5014
GND	3	Test Point, Black	Keystone Electronics	5014
EN, ADIM	2	Test Point, Yellow	Keystone Electronics	5014
U1	1	A6214	Allegro MicroSystems	

---

## RELATED LINKS

<https://www.allegromicro.com/en/products/regulate/led-drivers/led-drivers-for-lighting/a6214-a6216>

---

## Revision History

Number	Date	Description
-	October 16, 2024	Initial release

Copyright 2023, Allegro MicroSystems.

Allegro MicroSystems reserves the right to make, from time to time, such departures from the detail specifications as may be required to permit improvements in the performance, reliability, or manufacturability of its products. Before placing an order, the user is cautioned to verify that the information being relied upon is current.

Allegro's products are not to be used in any devices or systems, including but not limited to life support devices or systems, in which a failure of Allegro's product can reasonably be expected to cause bodily harm.

The information included herein is believed to be accurate and reliable. However, Allegro MicroSystems assumes no responsibility for its use; nor for any infringement of patents or other rights of third parties which may result from its use.

Copies of this document are considered uncontrolled documents.