

## Vibration-Tolerant Hall-Effect Transmission Speed and Direction Gear Tooth Sensor IC

### FEATURES AND BENEFITS

- **Differential Hall-effect sensor** measures ferrous targets with inherent stray field immunity
- **SolidSpeed Digital Architecture** provides robust, adaptive performance with advanced algorithms that provide vibration immunity over the full target pitch
- **Integrated solution** includes a back-bias magnet and capacitor in a single overmolded package
- **ISO 26262 ASIL B** with integrated diagnostics and certified safety design process
- **Two-wire current source output** pulse-width protocol supporting speed, direction, and ASIL error reporting
- **EEPROM** enables factory traceability



### PACKAGE: 3-pin SIP (suffix SN)



Not to scale

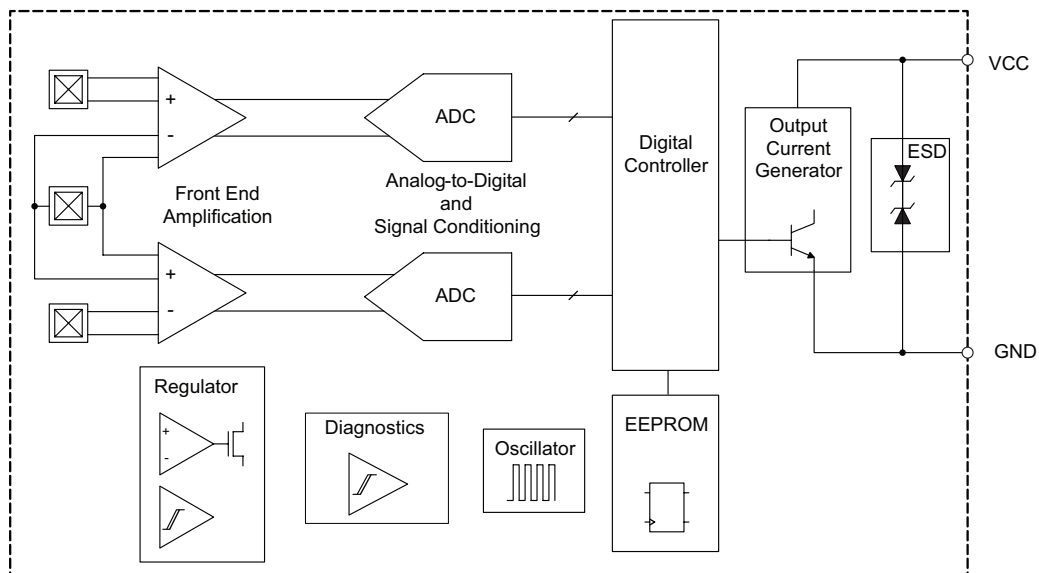
### DESCRIPTION

The ATS19520 is an advanced Hall-effect integrated circuit (IC) that uses an integrated back-bias magnet to measure the speed and direction of rotating ferrous targets. The package features an integrated capacitor for electromagnetic compatibility (EMC).

The ATS19520 employs intelligent algorithms that allow stable operation during vibration and highly dynamic air gap environments common to transmission applications. In addition, the differential sensing offers inherent rejection of interfering common-mode magnetic fields.

The ATS19520 was developed in accordance with ISO 26262 as a hardware safety element out of context with ASIL B capability for use in automotive safety-related systems when integrated and used in the manner prescribed in the applicable safety manual and datasheet.

The ATS19520 is provided in a 3-pin SIP package (suffix SN) that is lead (Pb) free, with tin leadframe plating. The SN package includes an IC, magnet, and capacitor integrated into a single overmold, with an additional molded lead-stabilizing bar for robust shipping and ease of assembly.



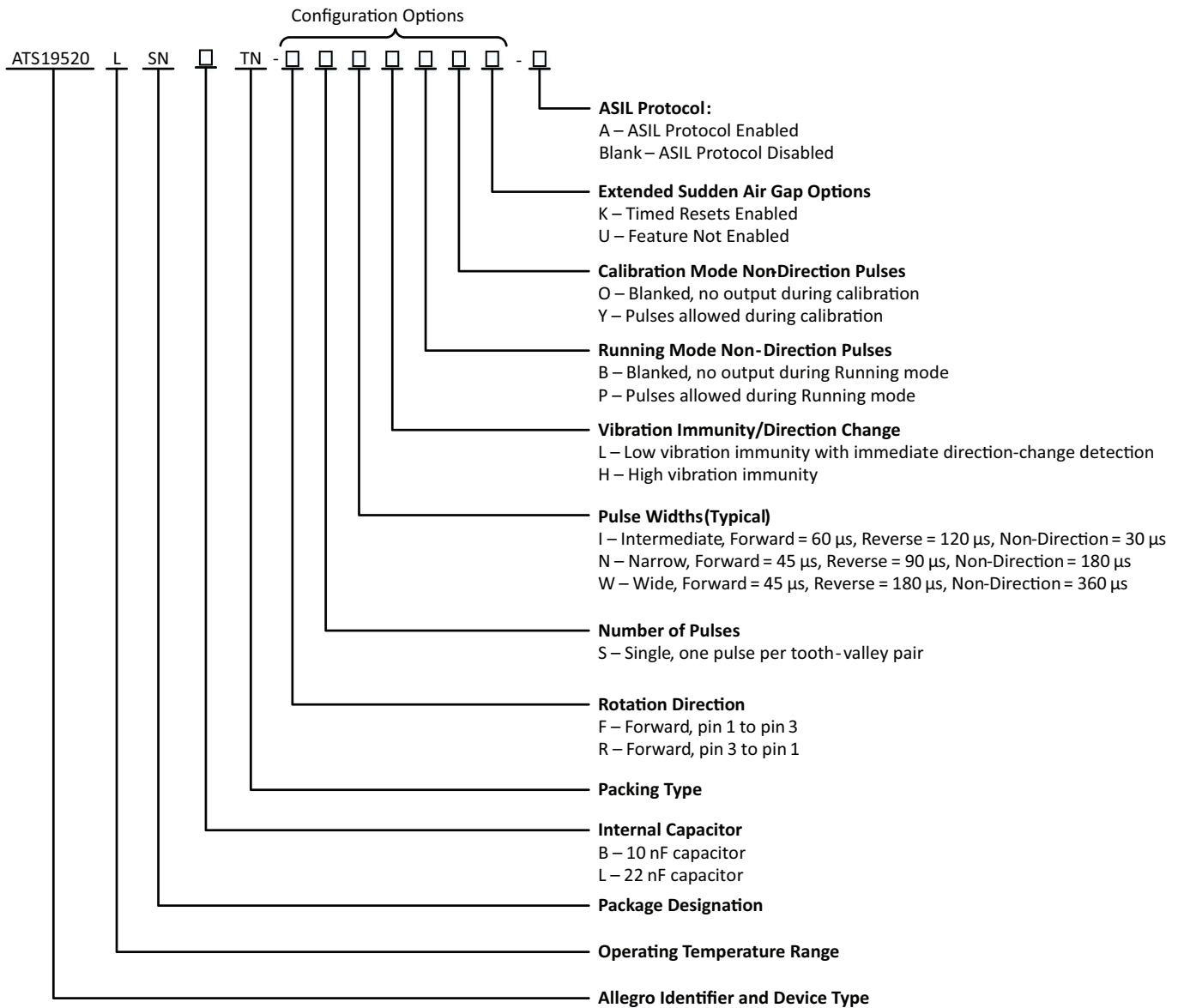
Functional Block Diagram

## SELECTION GUIDE\*

Part Number	Packing
ATS19520LSNBTN-RSWHPYU	Tape and reel, 13-in. reel, 800 pieces per reel



\* Not all combinations are available. Contact Allegro sales for availability and pricing of custom programming options.

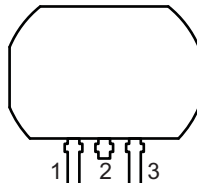


## SPECIFICATIONS

### ABSOLUTE MAXIMUM RATINGS

Characteristic	Symbol	Notes	Rating	Units
Supply Voltage	$V_{CC}$	Refer to Power Derating section	28	V
Reverse Supply Voltage	$V_{RCC}$		-18	V
Operating Ambient Temperature	$T_A$	Range L	-40 to 150	°C
Maximum Junction Temperature	$T_{J(max)}$		165	°C
Storage Temperature	$T_{stg}$		-65 to 170	°C

### PINOUT DIAGRAM AND TERMINAL LIST



Package SN, 3-Pin SIP Pinout Diagram

#### Terminal List Table

Number	Name	Function
1	VCC	Supply voltage
2	VCC	Supply voltage
3	GND	Ground

### Internal Discrete Capacitor Ratings

Characteristic	Symbol	Notes	Rating	Units	
Nominal Capacitance	$C_{SUPPLY}$	Connected between VCC and GND; refer to Figure 1	B	10	nF
			L	22	nF

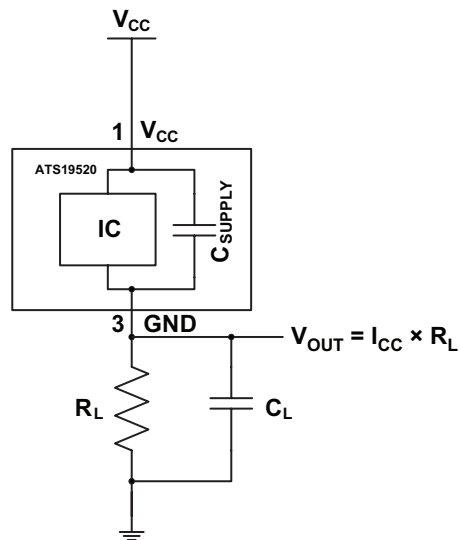


Figure 1: Typical Application Circuit

**OPERATING CHARACTERISTICS: Valid throughout full operating and temperature ranges, unless otherwise specified**

Characteristic	Symbol	Test Conditions	Min.	Typ. [1]	Max.	Unit	
<b>GENERAL</b>							
Supply Voltage [2]	$V_{CC}$	Operating, $T_J < T_{J(max)}$ , voltage across pin 1 and pin 3; does not include voltage across $R_L$	4	–	24	V	
Undervoltage Lockout	$V_{CC(UV)}$	$V_{CC} 0 V \rightarrow 5 V$ or $5 V \rightarrow 0 V$	–	3.6	3.95	V	
Reverse Supply Current [3]	$I_{RCC}$	$V_{CC} = V_{RCC(max)}$	–10	–	–	mA	
Supply Current	$I_{CC(LOW)}$	Low-current state	5.9	7	8	mA	
	$I_{CC(HIGH)}$	High-current state	12	14	16	mA	
	$I_{CC(HIGH)} / I_{CC(LOW)}$	Ratio of high current to low current (isothermal)	1.9	–	–	–	
ASIL Safety Current	$I_{RESET}$	Refer to Figure 7	1.5	–	3.9	mA	
<b>PROTECTION CIRCUITS</b>							
Supply Zener Clamp Voltage	$V_{Zsupply}$	$I_{CC} = 19 mA$ , $T_A = 25^\circ C$	28	–	–	V	
<b>POWER-ON CHARACTERISTICS</b>							
Power-On State	POS	$V_{CC} > V_{CC(min)}$ , as connected in Figure 1	$I_{CC(LOW)}$			mA	
Power-On Time [4]	$t_{PO}$	Time from $V_{CC} > V_{CC(min)}$ , until device has entered calibration	–	–	1	ms	
<b>OUTPUT PULSE CHARACTERISTICS, PULSE PROTOCOL [5]</b>							
Output Rise Time	$t_r$	Voltage measured at pin 2 in Figure 1, $R_L = 100 \Omega$ , $C_L = 10 pF$ , measured between 10% and 90% of signal	SNL variant	0	4.5	8	$\mu s$
			SNB variant	0	2	4	$\mu s$
Output Fall Time	$t_f$	Voltage measured at pin 3 in Figure 1, $R_L = 100 \Omega$ , $C_L = 10 pF$ , measured between 10% and 90% of signal	SNL variant	0	4.5	8	$\mu s$
			SNB variant	0	2	4	$\mu s$
Pulse Width, ASIL Warning	$t_{w(ASILwarn)}$	Refer to Figure 7	63	–	121	$\mu s$	
Pulse Width, ASIL Critical	$t_{w(ASILcrit)}$	Refer to Figure 7	4	–	8	ms	

Continued on next page...

**OPERATING CHARACTERISTICS (continued):** Valid throughout full operating temperature ranges, unless otherwise specified

Characteristic	Symbol	Test Conditions	Min.	Typ. [1]	Max.	Unit
<b>INTERMEDIATE PULSE WIDTH OPTION (PART NUMBER -xxlxxxx)</b>						
Threshold to Enter High-Speed Mode	$f_{HIGH}$	$T_{CYCLE}$ frequency increasing	0.935	1.1	1.265	kHz
Threshold to Exit High-Speed Mode	$f_{LOW}$	$T_{CYCLE}$ frequency decreasing	0.85	1	1.15	kHz
Pulse Width, Forward Rotation	$t_{w(FWD)}$	$T_{CYCLE}$ frequency < $f_{LOW}$	51	60	69	$\mu s$
Pulse Width, Reverse Rotation	$t_{w(REV)}$	$T_{CYCLE}$ frequency < $f_{LOW}$	102	120	138	$\mu s$
Pulse Width, High-Speed	$t_{w(HS)}$	$T_{CYCLE}$ frequency > $f_{HIGH}$	25	30	35	$\mu s$
Pulse Width, Non-Direction	$t_{w(ND)}$		25	30	35	$\mu s$
Operating Frequency, Forward Rotation [6][7][8]	$f_{FWD}$		0	–	12	kHz
Operating Frequency, Reverse Rotation [6][7][8]	$f_{REV}$		0	–	12	kHz
Operating Frequency, Non-Direction Pulses [6][8]	$f_{ND}$		0	–	12	kHz
<b>NARROW PULSE WIDTH OPTION (PART NUMBER -xxNxxxx)</b>						
Pulse Width, Forward Rotation	$t_{w(FWD)}$		38	45	52	$\mu s$
Pulse Width, Reverse Rotation	$t_{w(REV)}$		76	90	104	$\mu s$
Pulse Width, Non-Direction	$t_{w(ND)}$		153	180	207	$\mu s$
Operating Frequency, Forward Rotation [6][8]	$f_{FWD}$		0	–	12	kHz
Operating Frequency, Reverse Rotation [6][8]	$f_{REV}$		0	–	7	kHz
Operating Frequency, Non-Direction Pulses [6][8]	$f_{ND}$		0	–	4	kHz
<b>WIDE PULSE WIDTH OPTION (PART NUMBER -xxWxxxx)</b>						
Pulse Width, Forward Rotation	$t_{w(FWD)}$		38	45	52	$\mu s$
Pulse Width, Reverse Rotation	$t_{w(REV)}$		153	180	207	$\mu s$
Pulse Width, Non-Direction	$t_{w(ND)}$		306	360	414	$\mu s$
Operating Frequency, Forward Rotation [6][8]	$f_{FWD}$		0	–	12	kHz
Operating Frequency, Reverse Rotation [6][8]	$f_{REV}$		0	–	4	kHz
Operating Frequency, Non-Direction Pulses [6][8]	$f_{ND}$		0	–	2.2	kHz

Continued on next page...

**OPERATING CHARACTERISTICS (continued): Valid throughout full operating temperature ranges, unless otherwise specified**

Characteristic	Symbol	Test Conditions	Min.	Typ. [1]	Max.	Unit
<b>INPUT CHARACTERISTICS AND PERFORMANCE</b>						
Air Gap Range		Using Allegro 60-0 reference target; tested at 1000 rpm [9]	0.5	–	2.8	mm
User-Induced Offset		Differential Magnitude valid for both differential magnetic channels.	–400	–	400	G
Operate Point	B <sub>OP</sub>	% of peak-to-peak IC-processed signal	–	75	–	%
Release Point	B <sub>RP</sub>	% of peak-to-peak IC-processed signal	–	25	–	%
Switch Point Separation	B <sub>DIFF(SP-SEP)</sub>	Required amount of amplitude separation between channels at each B <sub>OP</sub> and B <sub>RP</sub> occurrence; refer to Figure 4	20	–	–	%B <sub>DIFF(pk-pk)</sub>
Allowable Differential Sequential Signal Variation	B <sub>SEQ(n+1)</sub> / B <sub>SEQ(n)</sub>	Signal cycle-to-cycle variation (refer to Figure 2)	0.7	–	1.3	–
	B <sub>SEQ(n+i)</sub> / B <sub>SEQ(n)</sub>	Overall signal variation (refer to Figure 2)	0.1	–	–	–
Initial Calibration	T <sub>CAL</sub>	Periods after t <sub>PO</sub> completed and first valid speed and direction output. Constant direction of rotation. Refer to Figure 3 for definition of T <sub>CYCLE</sub> .	–	–	4 × T <sub>CYCLE</sub>	–
Vibration Immunity (Startup)		High Vibration (-xxxHxxxx variant)	1 × T <sub>CYCLE</sub>	–	–	–
		Low Vibration (-xxxLxxxx variant)	1 × T <sub>CYCLE</sub>	–	–	–
Vibration Immunity (Running Mode)		High Vibration (-xxxHxxxx variant)	1 × T <sub>CYCLE</sub>	–	–	–
		Low Vibration (-xxxLxxxx variant)	0.12 × T <sub>CYCLE</sub>	–	–	–
First Direction-Pulse Output Following Direction Change		High Vibration (-xxxHxxxx variant)	–	–	3 × T <sub>CYCLE</sub>	–
		Low Vibration (-xxxLxxxx variant)	–	–	1.5 × T <sub>CYCLE</sub>	–
First Direction-Pulse Output Following Running Mode Vibration		High Vibration (-xxxHxxxx and -xxxLxxxx variant)	–	–	3.5 × T <sub>CYCLE</sub>	–
Timer Period		Timed reset intervals with no output pulses (-xxxxxxxK variant)	–	0.5	–	seconds
<b>THERMAL CHARACTERISTICS</b>						
Package Thermal Resistance [10]	R <sub>θJA</sub>	Single-layer PCB with copper limited to solder pads	–	150	–	°C/W

[1] Typical values are at T<sub>A</sub> = 25°C and V<sub>CC</sub> = 12 V. Performance may vary for individual units, within the specified maximum and minimum limits.

[2] Maximum voltage must be adjusted for power dissipation and junction temperature; see representative for Power Derating discussions.

[3] Negative current is defined as conventional current coming out of (sourced from) the specified device terminal.

[4] Output transients prior to t<sub>PO</sub> should be ignored.

[5] Timing from start of rising output transition. Measured pulse width will vary on load circuit configurations and thresholds. Pulse width measured at threshold of (I<sub>CC(HIGH)</sub> + I<sub>CC(LOW)</sub>) / 2 for non-ASIL pulses and (I<sub>RESET</sub> + I<sub>CC(LOW)</sub>) / 2 for ASIL pulses.

[6] Maximum Operating Frequency is determined by satisfactory separation of output pulses. If shorter low-state durations can be resolved, the maximum f<sub>REV</sub> and f<sub>ND</sub> may be higher. Does not apply to -xxxLxxxx variant or f<sub>FWD</sub>.

[7] Direction information is not available when frequency > f<sub>HIGH</sub> for the Intermediate Pulse Width option.

[8] Zero-speed is not met when the xxxxxxK-variant is implemented due to the inclusion of a timed reset.

[9] Speed-related effects on maximum air gap are highly dependent upon specific target geometry. Consult with Allegro field applications engineering for aid with assessment of target geometries.

[10] Additional thermal information is available on the Allegro website.

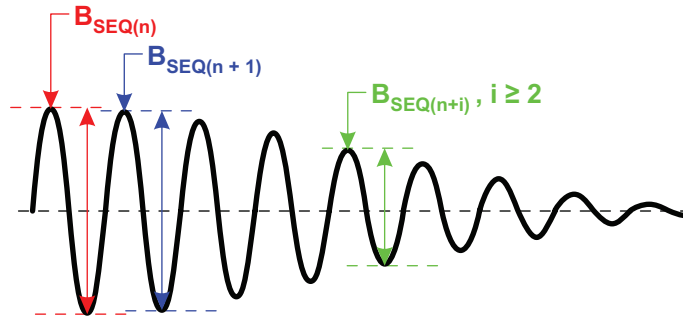
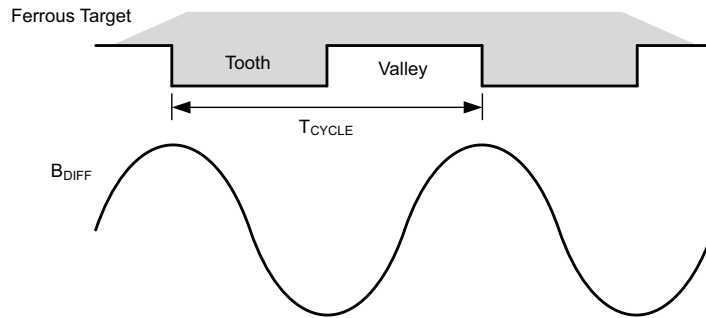


Figure 2: Differential Signal Variation



$T_{CYCLE}$  = Target Cycle; the amount of rotation that moves one tooth and valley across the sensor.

$B_{DIFF}$  = The differential magnetic flux density sensed by the sensor.

Figure 3: Definition of  $T_{CYCLE}$

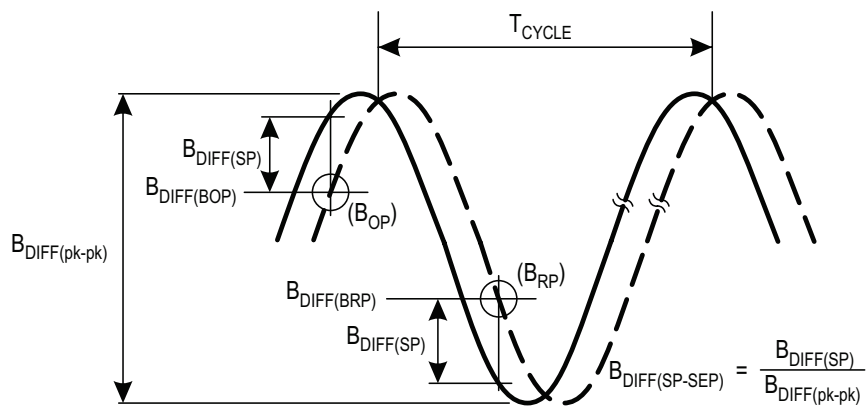
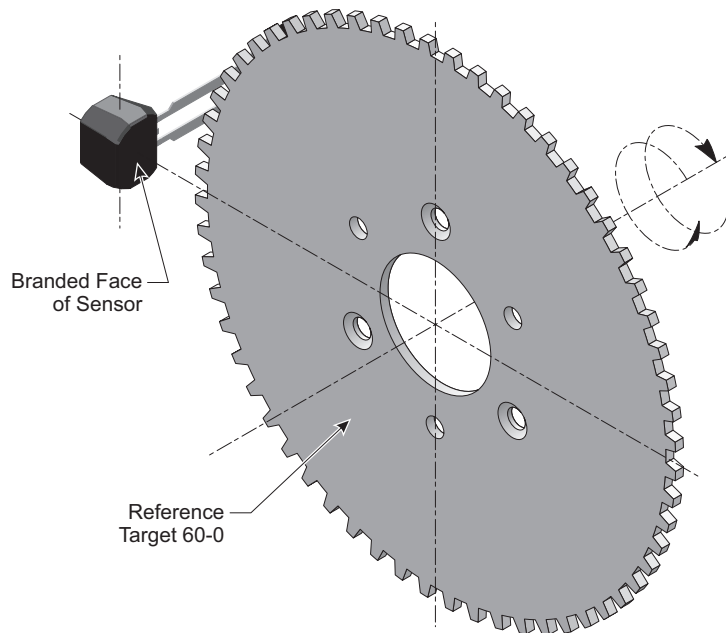


Figure 4: Definition of Switch Point Separation

### Reference Target 60-0 (60 Tooth Target)

Characteristics	Symbol	Test Conditions	Typ.	Units	Symbol Key
Outside Diameter	$D_o$	Outside diameter of target	120	mm	
Face Width	F	Breadth of tooth, with respect to branded face	6	mm	
Circular Tooth Length	t	Length of tooth, with respect to branded face	3	deg.	
Circular Valley Width	$t_v$	Length of valley, with respect to branded face	3	deg.	
Tooth Whole Depth	$h_t$		3	mm	
Material		Low Carbon Steel	-	-	



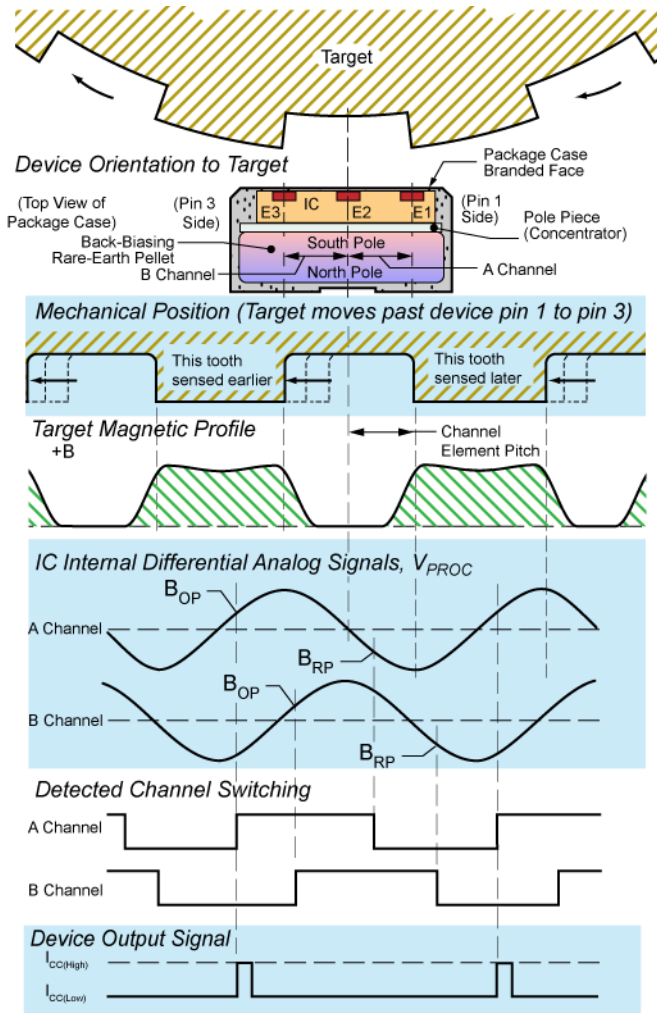


## FUNCTIONAL DESCRIPTION

### Sensing Technology

The sensor IC contains a single-chip Hall-effect circuit that supports a trio of Hall elements. These are used in differential pairs to provide electrical signals containing information regarding edge position and direction of target rotation. The ATS19520 is intended for use with ferrous targets.

After proper power is applied to the sensor IC, it is capable of providing digital information that is representative of the magnetic features of a rotating target. The waveform diagrams in Figure 5 present the automatic translation of the target profiles, through their induced magnetic profiles, to the digital output signal of the sensor IC.



**Figure 5: Magnetic Profile**

The magnetic profile reflects the features of the target, allowing the sensor IC to present an accurate digital output.

### Direction Detection

The sensor IC compares the relative phase of its two differential channels to determine which direction the target is moving. The relative switching order is used to determine the direction, which is communicated through the output protocol.

### Data Protocol Description

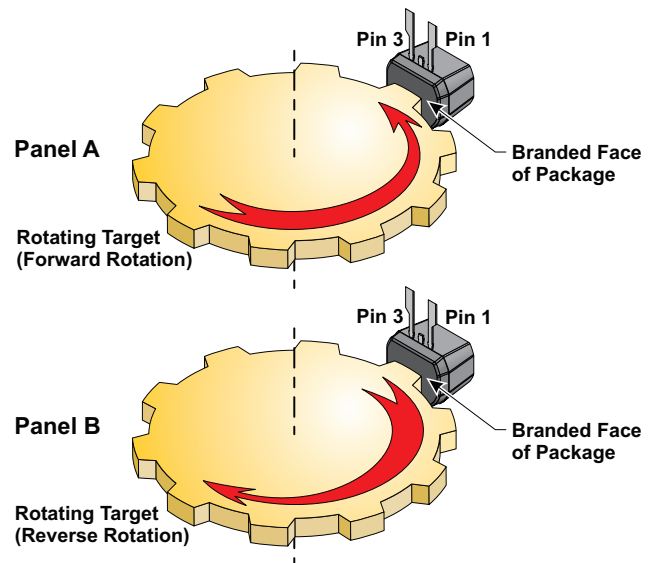
When a target passes in front of the device (opposite the branded face of the package case), the ATS19520 generates an output pulse for each tooth of the target. Speed information is provided by the output pulse rate, while direction of target rotation is provided by the duration of the output pulses. The sensor IC can sense target movement in both the forward and reverse directions.

### FORWARD ROTATION

As shown in panel A in Figure 6, when the target is rotating such that a tooth near the sensor IC – of -Fxxxxxx variant – passes from pin 1 to pin 3, this is referred to as forward rotation. This direction is opposite for the -Rxxxxxx variant. Forward rotation is indicated by output pulse widths of  $t_{w(FWD)}$ .

### REVERSE ROTATION

As shown in panel B in Figure 6, when the target is rotating such that a tooth passes from pin 3 to pin 1, it is referred to as reverse rotation for the -Fxxxxxx variant. Reverse rotation is indicated by output pulse widths of  $t_{w(REV)}$ .



**Figure 6: Target Rotation (F Variant Shown)**

## ASIL Protocol

The -xxxxxxx-A variant contains diagnostic circuitry that will continuously monitor occurrences of failure defects within the IC. Refer to Figure 7 for the output protocol of the ASIL Safe State after an internal defect has been detected. Error Protocol will result from faults which cause incorrect signal transmission (i.e., too few or too many output pulses).

*Note: If a fault exists continuously, the device will attempt recovery indefinitely. Refer to the ATS19520 Safety Manual for additional details on the ASIL Safe State Output Protocol.*

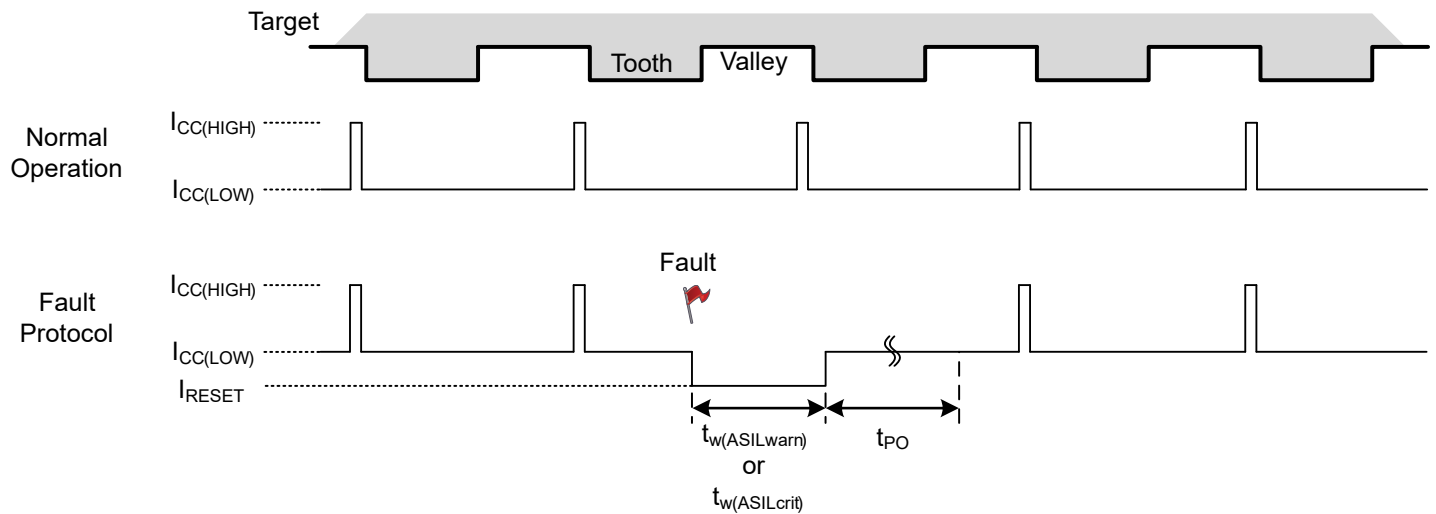


Figure 7: Output Protocol (ASIL Safe State)

## POWER DERATING

The device must be operated below the maximum junction temperature of the device ( $T_{J(max)}$ ). Under certain combinations of peak conditions, reliable operation may require derating supplied power or improving the heat dissipation properties of the application. This section presents a procedure for correlating factors affecting operating  $T_J$ . (Thermal data is also available on the Allegro website.)

The Package Thermal Resistance ( $R_{\theta JA}$ ) is a figure of merit summarizing the ability of the application and the device to dissipate heat from the junction (die), through all paths to the ambient air. Its primary component is the Effective Thermal Conductivity (K) of the printed circuit board, including adjacent devices and traces. Radiation from the die through the device case ( $R_{\theta JC}$ ) is relatively small component of  $R_{\theta JA}$ . Ambient air temperature ( $T_A$ ) and air motion are significant external factors, damped by overmolding.

The effect of varying power levels (Power Dissipation,  $P_D$ ), can be estimated. The following formulas represent the fundamental relationships used to estimate  $T_J$ , at  $P_D$ .

$$P_D = V_{IN} \times I_{IN} \quad (1)$$

$$\Delta T = P_D \times R_{\theta JA} \quad (2)$$

$$T_J = T_A + \Delta T \quad (3)$$

For example, given common conditions such as:  $T_A = 25^\circ C$ ,  $V_{CC} = 12 V$ ,  $I_{CC} = 14 mA$ , and  $R_{\theta JA} = 150^\circ C/W$ , then:

$$P_D = V_{CC} \times I_{CC} = 12 V \times 14 mA = 168 mW$$

$$\Delta T = P_D \times R_{\theta JA} = 168 mW \times 150^\circ C/W = 25.2^\circ C$$

$$T_J = T_A + \Delta T = 25^\circ C + 25.2^\circ C = 50.2^\circ C$$

A worst-case estimate,  $P_{D(max)}$ , represents the maximum allowable power level ( $V_{CC(max)}$ ,  $I_{CC(max)}$ ), without exceeding  $T_{J(max)}$ , at a selected  $R_{\theta JA}$  and  $T_A$

*Example:* Reliability for  $V_{CC}$  at  $T_A = 150^\circ C$ , package SN, using a single-layer PCB.

Observe the worst-case ratings for the device, specifically:  $R_{\theta JA} = 150^\circ C/W$ ,  $T_{J(max)} = 165^\circ C$ ,  $V_{CC(max)} = 24 V$ , and  $I_{CC(avg)} = 14.6 mA$ .  $I_{CC(avg)}$  is computed using  $I_{CC(LOW)(max)}$  and  $I_{CC(HIGH)(max)}$ , with a duty cycle of 83% computed from  $t_{w(REV)(max)}$  on-time at 4 kHz maximum operating frequency.

Calculate the maximum allowable power level,  $P_{D(max)}$ . First, invert equation 3:

$$\Delta T_{max} = T_{J(max)} - T_A = 165^\circ C - 150^\circ C = 15^\circ C$$

This provides the allowable increase to  $T_J$  resulting from internal power dissipation. Then, invert equation 2:

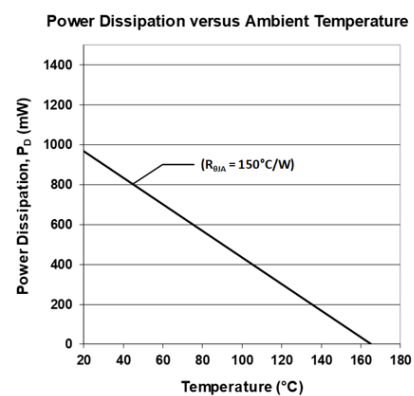
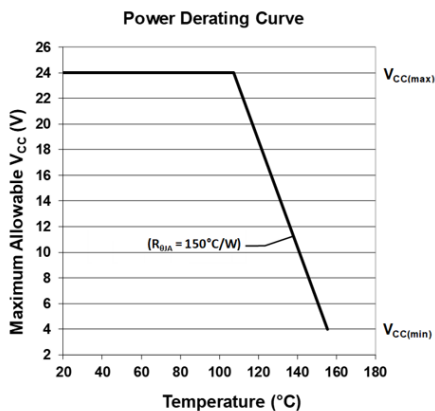
$$P_{D(max)} = \Delta T_{max} \div R_{\theta JA} = 15^\circ C \div 150^\circ C/W = 100 mW$$

Finally, invert equation 1 with respect to voltage:

$$V_{CC(est)} = P_{D(max)} \div I_{CC(avg)} = 100 mW \div 14.6 mA = 6.8 V$$

The result indicates that, at  $T_A$ , the application and device cannot dissipate adequate amounts of heat at operating voltages above 6.8 V at  $150^\circ C$ .

Compare  $V_{CC(est)}$  to  $V_{CC(max)}$ . If  $V_{CC(est)} \leq V_{CC(max)}$ , then reliable operation between  $V_{CC(est)}$  and  $V_{CC(max)}$  requires enhanced  $R_{\theta JA}$ . If  $V_{CC(est)} \geq V_{CC(max)}$ , then operation between  $V_{CC(est)}$  and  $V_{CC(max)}$  is reliable under these conditions.



## PACKAGE OUTLINE DRAWING

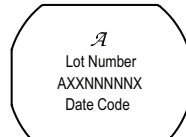
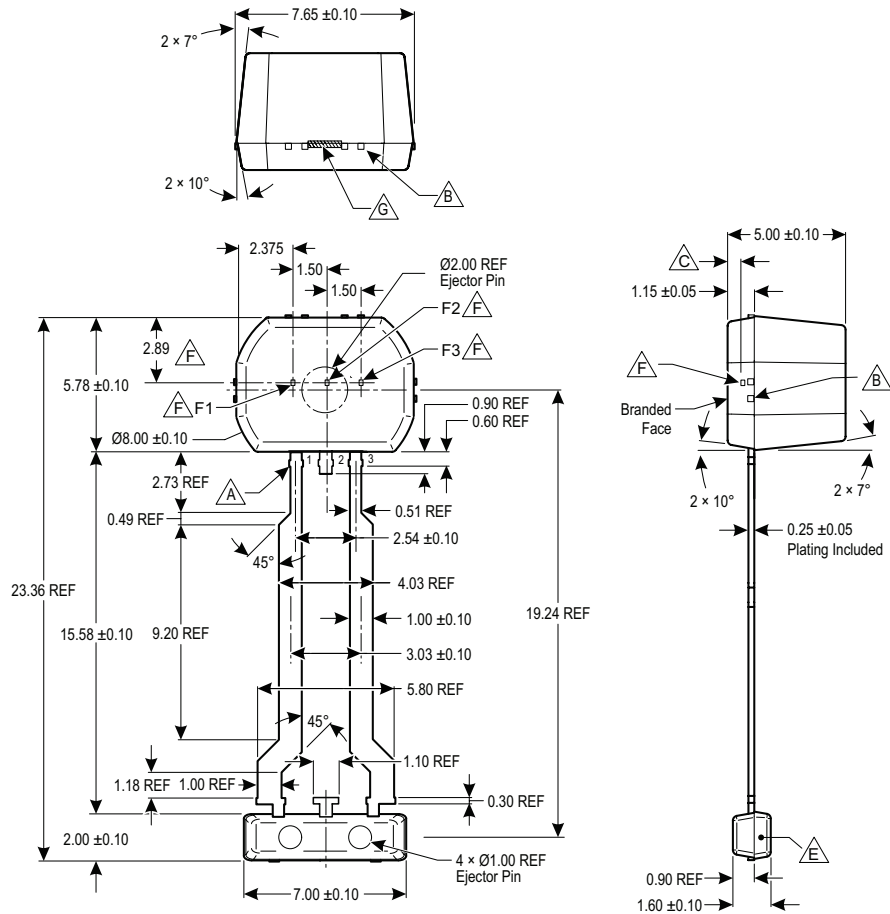
**For Reference Only – Not for Tooling Use**

(Reference DWG-0000429, Rev. 4)

Dimensions in millimeters – NOT TO SCALE

Dimensions exclusive of mold flash, gate burrs, and dambar protrusions

Exact case and lead configuration at supplier discretion within limits shown



**Standard Branding Reference View**

Lines 1, 2, 3, 4: Up to 10 characters, centered

Line 1: Logo A  
 Line 2: Characters 5, 6, 7, 8, 9, 10, 11 of Assembly Lot Number  
 Line 3: 3 Character Prefix, 5 Digit Part Number, Package Variant  
 Line 4: 4 digit Date Code

**Notes:**

- A** Dambar removal protrusion (12x)
- B** Tie bars (8x)
- C** Active Area Depth, 0.40 ± 0.05 mm
- D** Branding scale and appearance at supplier discretion
- E** Molded lead bar for preventing damage to leads during shipment
- F** Hall elements (F1, F2, F3); not to scale
- G** Gate location

**Figure 8: Package SN, 3-Pin SIP**

**Revision History**

Number	Date	Description
–	January 31, 2019	Initial release
1	March 29, 2019	Updated Features and Benefits (page 1), selection guide (page 2), and ASIL Protocol section (page 10).
2	April 5, 2019	Updated ASIL status (page 1) and figure references (page 4).
3	October 15, 2020	Updated Operate and Release Point values (page 6).
4	March 26, 2021	Updated ASIL status (page 1).
5	June 19, 2024	Added First Direction-Pulse Output Following Direction Change and First Direction-Pulse Output Following Running Mode Vibration characteristics (page 6).

Copyright 2024, Allegro MicroSystems.

Allegro MicroSystems reserves the right to make, from time to time, such departures from the detail specifications as may be required to permit improvements in the performance, reliability, or manufacturability of its products. Before placing an order, the user is cautioned to verify that the information being relied upon is current.

Allegro's products are not to be used in any devices or systems, including but not limited to life support devices or systems, in which a failure of Allegro's product can reasonably be expected to cause bodily harm.

The information included herein is believed to be accurate and reliable. However, Allegro MicroSystems assumes no responsibility for its use; nor for any infringement of patents or other rights of third parties which may result from its use.

Copies of this document are considered uncontrolled documents.

For the latest version of this document, visit our website:

[www.allegromicro.com](http://www.allegromicro.com)